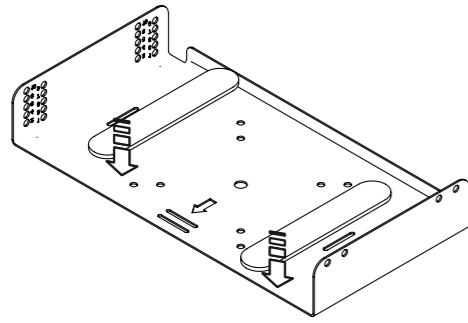


Installation behind monitor

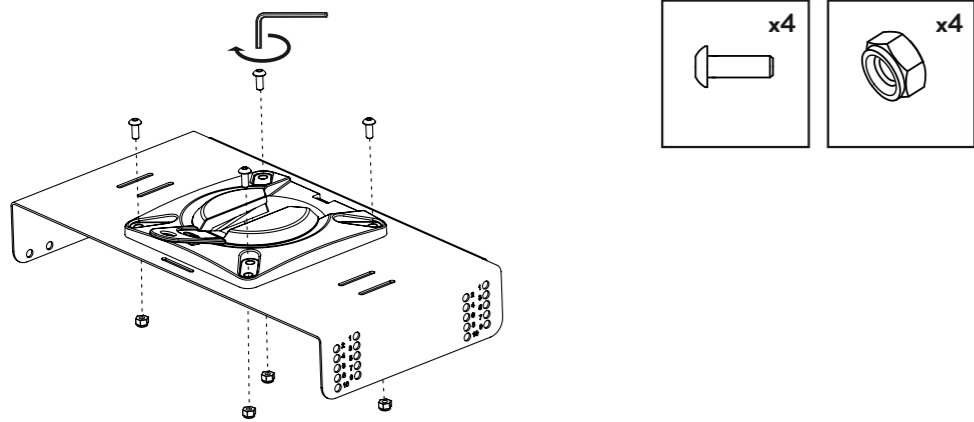
APPLY FOAM PADS TO INSIDE OF THIN CLIENT MOUNT PART A

1



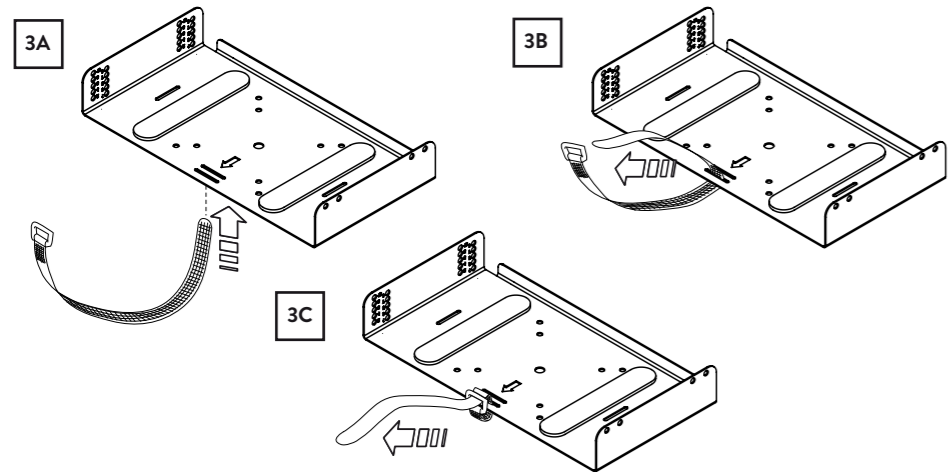
INSTALL VESA HEAD TO PART B USING SUPPLIED M4 FIXINGS

2



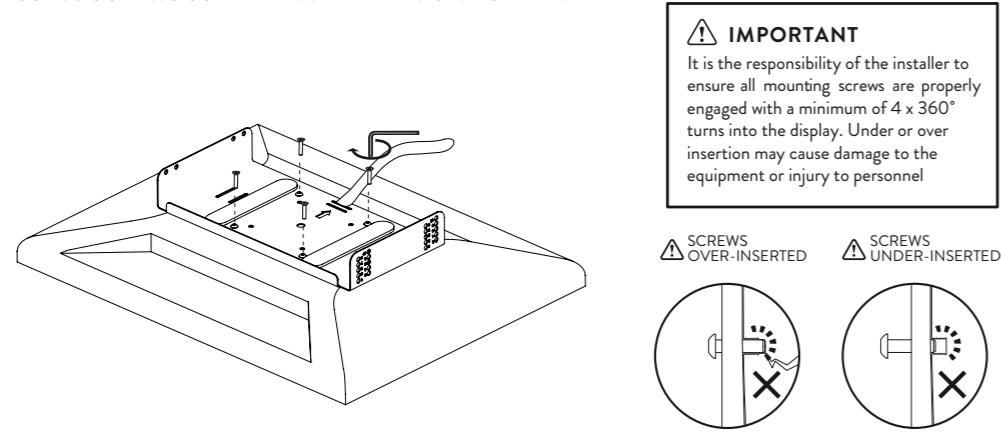
INSTALL VELCRO STRAP

3



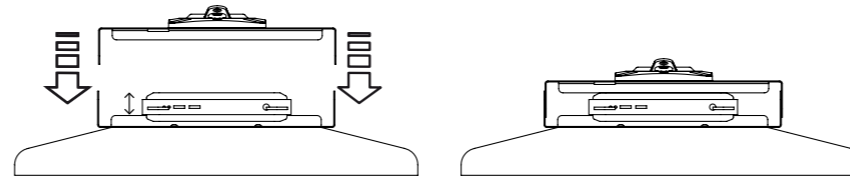
MOUNT THIN CLIENT MOUNT PART A TO THE MONITOR USING SCREWS SUPPLIED WITH THE MONITOR ARM

4



ADJUST HEIGHT TO SUIT WIDTH OF THIN CLIENT MOUNT

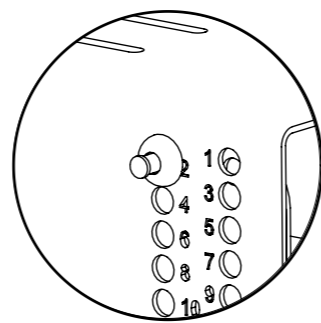
5



USEFUL TIP
The side with multiple numbered holes should be visible on the outside

INSERT RIVET THROUGH HOLES TO ATTACH BOTH SIDE OF THE THIN CLIENT MOUNT

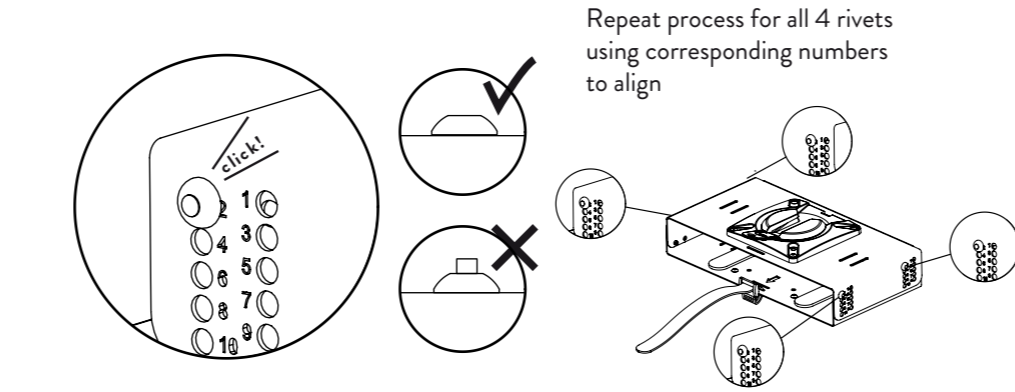
6



USEFUL TIP
Use corresponding numbers to align

PRESS IN CENTRE OF RIVET TO SECURE

7

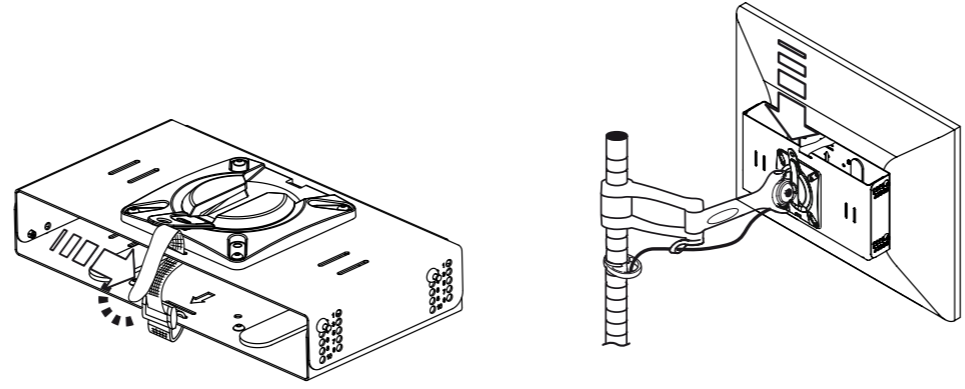


ATTACH VELCRO STRAP

8

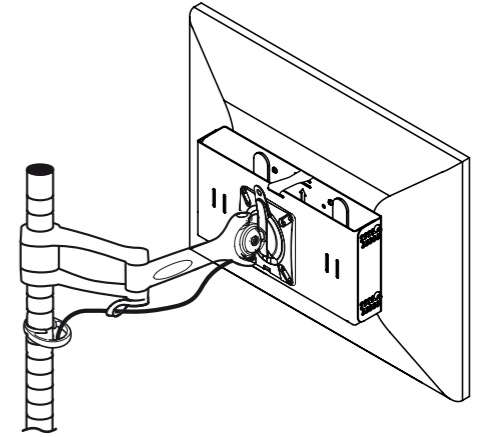
MOUNT ASSEMBLED UNIT ONTO ARM USING VESA HEAD

9

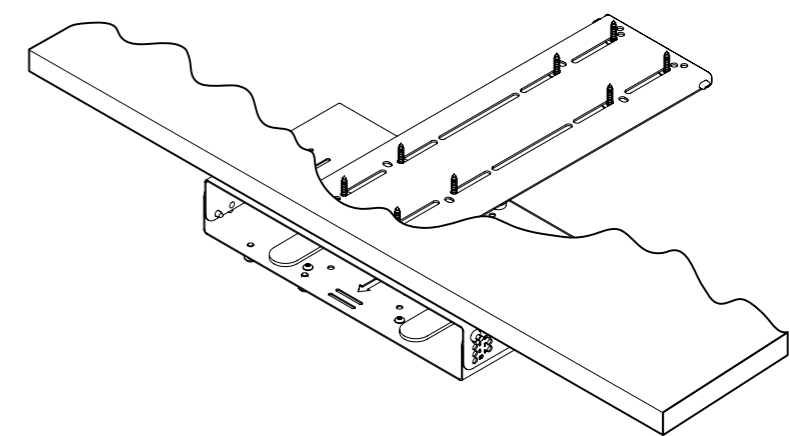


Do NOT exceed maximum recommended load

Installation behind monitor



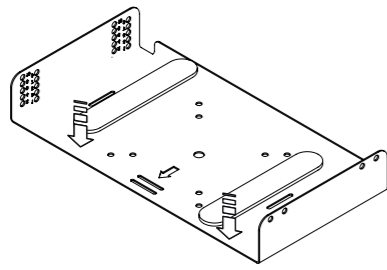
Installation on Slide and Rotate track



Installation on Slide and Rotate track (CPU fixing)

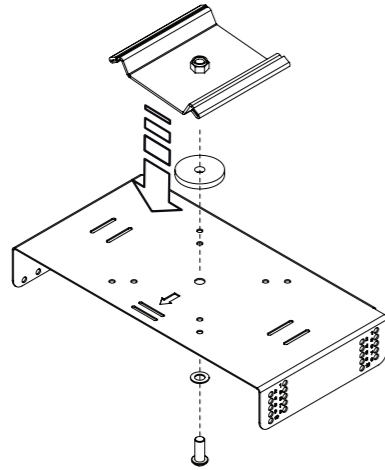
APPLY FOAM PADS TO INSIDE OF THIN CLIENT MOUNT PART A

1



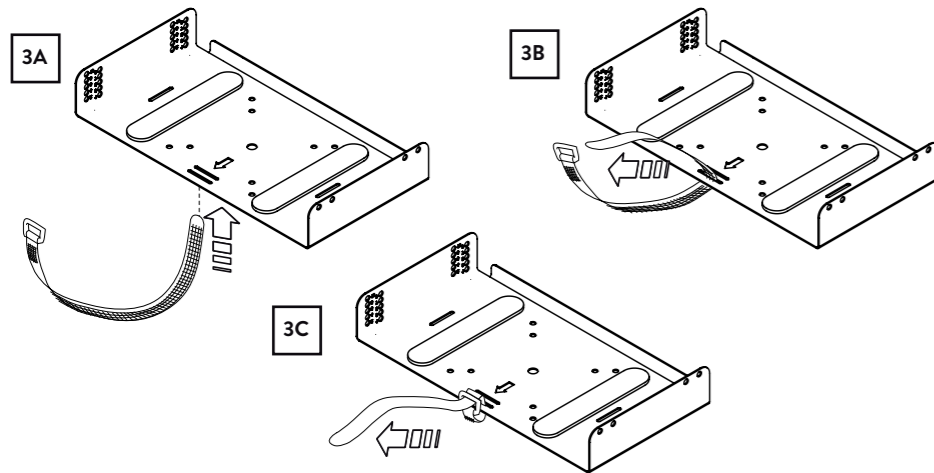
ATTACH THE S&R HEAD TO THIN CLIENT MOUNT PART B

2



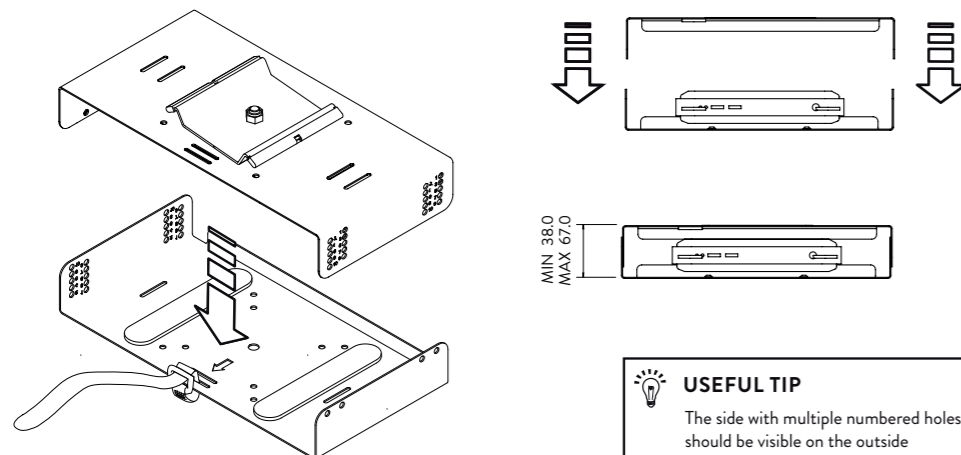
INSTALL VELCRO STRAP (IF REQUIRED)

3



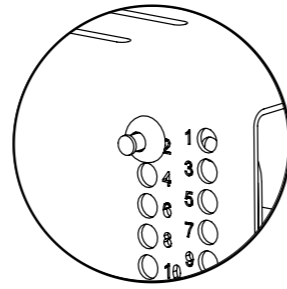
ADJUST HEIGHT TO SUIT WIDTH OF THIN CLIENT MOUNT

4



INSERT RIVET THROUGH HOLES TO ATTACH BOTH SIDE OF THE THIN CLIENT MOUNT

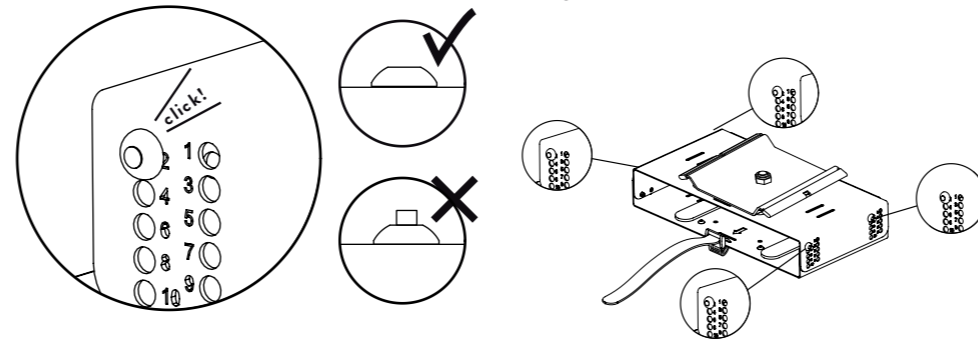
5



USEFUL TIP
Use corresponding numbers to align

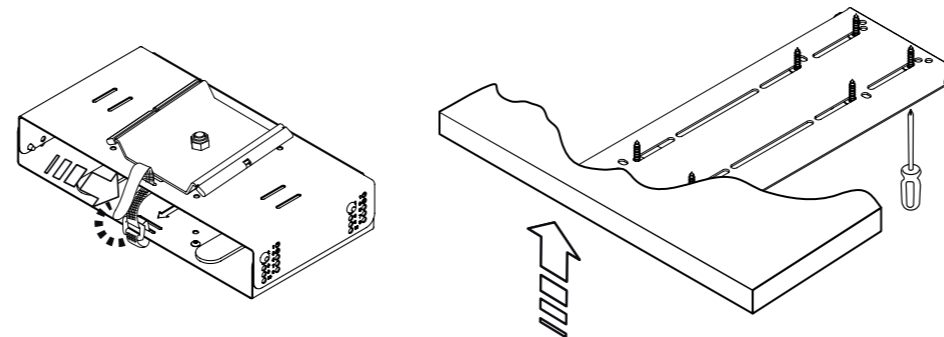
PRESS IN CENTRE OF RIVET TO SECURE

6



ATTACH VELCRO STRAP (IF REQUIRED)

7

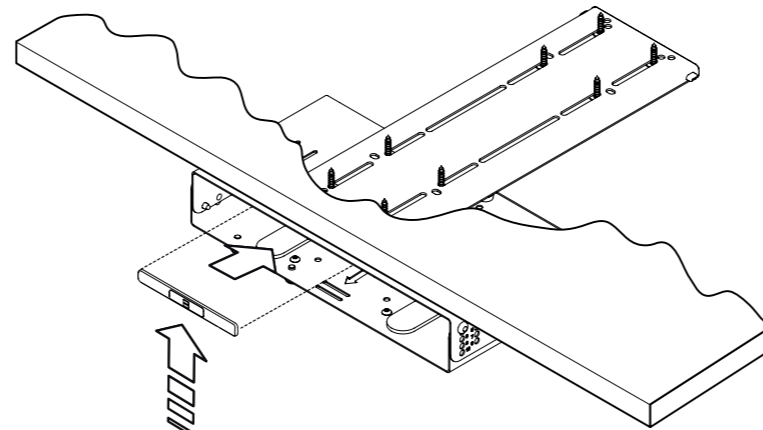


INSTALL SLIDE AND ROTATE TRACK TO UNDERSIDE OF DESK

8

INSERT HEAD INTO SLIDE AND ROTATE TRACK AND REPLACE SLIDE AND ROTATE TRACK STOPPER

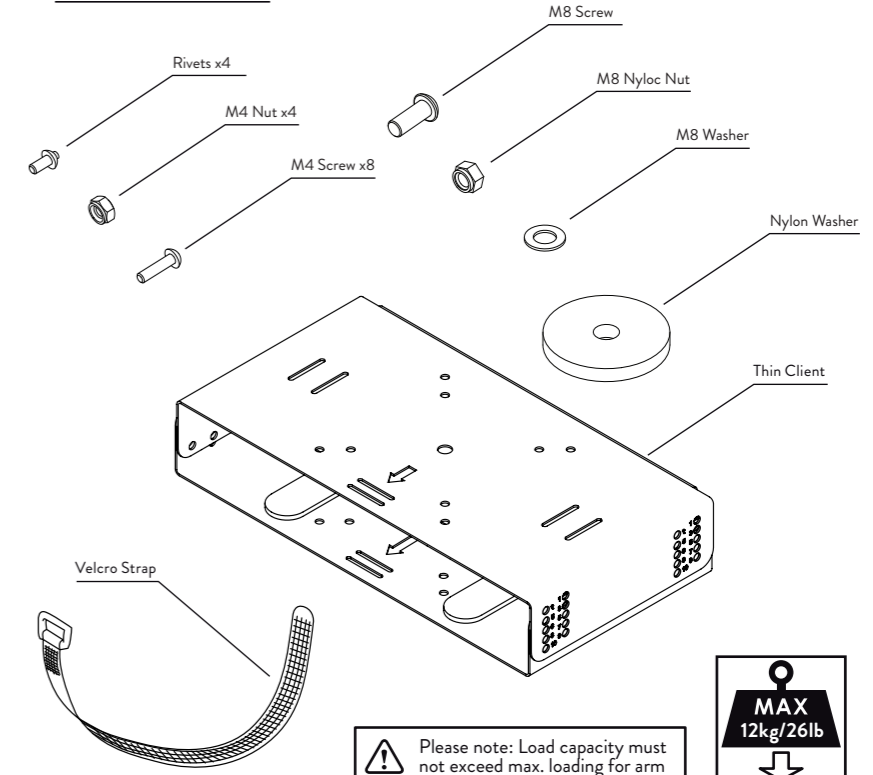
9



Installation instructions for Thin Client Mount



FIXINGS

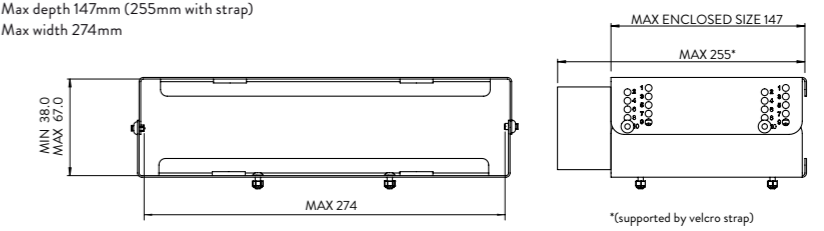


Please note: Load capacity must not exceed max. loading for arm

MAX
12kg/26lb

THIN CLIENT MINIMUM AND MAXIMUM DIMENSIONS

- Min/Max height 38mm/67mm
- Max depth 147mm (255mm with strap)
- Max width 274mm



WARNING

- Ensure desk / work surface / wall / partition is suitable to take the weight of the arm/s, Thin Client and monitors
- Do not use this product for any purpose other than that for which it was designed
- Supported weight must not exceed the maximum weight limit for the arm / Slide and Rotate fixing
- Hold the monitor tightly when making adjustments
- Care should be taken to avoid trapping fingers
- Some monitors have recesses and may require spacers or a 75mm VESA plate

MAINTENANCE AND INSPECTION

- Ensure all rivets are fully inserted and occasionally adjust if needed
- Clean with a damp cloth, NO solvent
- Ensure all screws are tightened and occasionally adjust if needed

DISCLAIMER

As part of Colebrook Bosson Saunders ongoing product improvement programme, the design of products may change without prior notice and details may vary from those illustrated.

PATENTS

- Colebrook Bosson Saunders hold a number of patents and other intellectual property rights covering our products and processes.
- You can find patent information on our website at: www.colebrookbosson.com/patents

TCM/001 INST E SEPT 2017